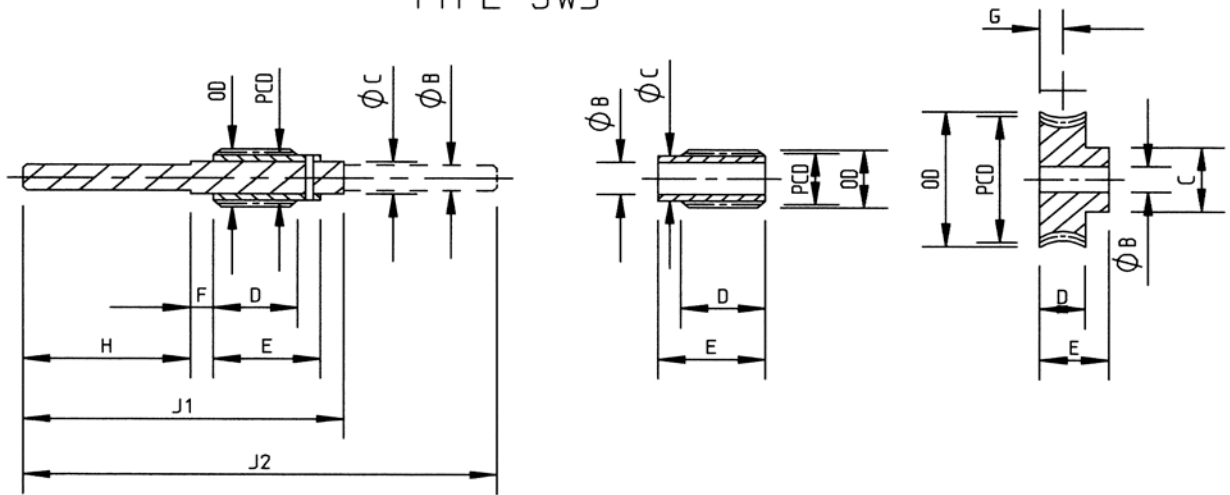


TYPE SW3



Type SW3 Worms and Wormwheels

Dimensions in inches

	B	B (Bored)	C	D	E	F	G	H	J1	J2
Worm	0.312	0.375	0.531	1.125	1.375	0.240		1.344	3.156	4.500
Wheel	0.375		0.750	0.500	0.750		0.250			

O.D and P.C.D Dimensions

Ratio	Worm		Wheel	
	P.C.D	O.D	P.C.D	O.D
6-- 1	0.759	0.838	1.491	1.605
7.5-- 1	0.681	0.780	1.569	1.720
8.33-- 1	0.607	0.670	1.643	1.720
10-- 1	0.586	0.666	1.664	1.760
12.5-- 1	0.659	0.721	1.591	1.690
15-- 1	0.659	0.764	1.591	1.720
16-- 1	0.629	0.729	1.621	1.760
20-- 1	0.637	0.717	1.613	1.720
24-- 1	0.659	0.722	1.591	1.690
25-- 1	0.659	0.722	1.591	1.690
30--1	0.659	0.765	1.591	1.720
32--1	0.644	0.744	1.606	1.760
36-- 1	0.609	0.7	1.641	1.760
40-- 1	0.658	0.737	1.592	1.690
45-- 1	0.64	0.711	1.610	1.720
48-- 1	0.648	0.715	1.602	1.690
50-- 1	0.659	0.723	1.591	1.690
60-- 1	0.67	0.723	1.580	1.655
70--1	0.791	0.833	1.459	1.515
90-- 1	0.642	0.678	1.608	1.655
100-- 1	0.688	0.719	1.562	1.605

Material

Worm :- Steel, with hardened and polished thread

Worm wheel :- Phosphor Bronze BS 1400 PB 1.

When ordering please specify, Single, Double-ended or Bored Worm. Anti-backlash Wormwheels also available.